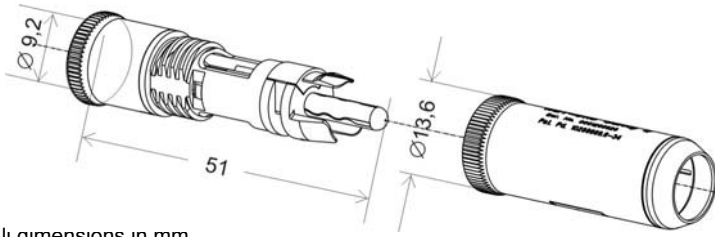


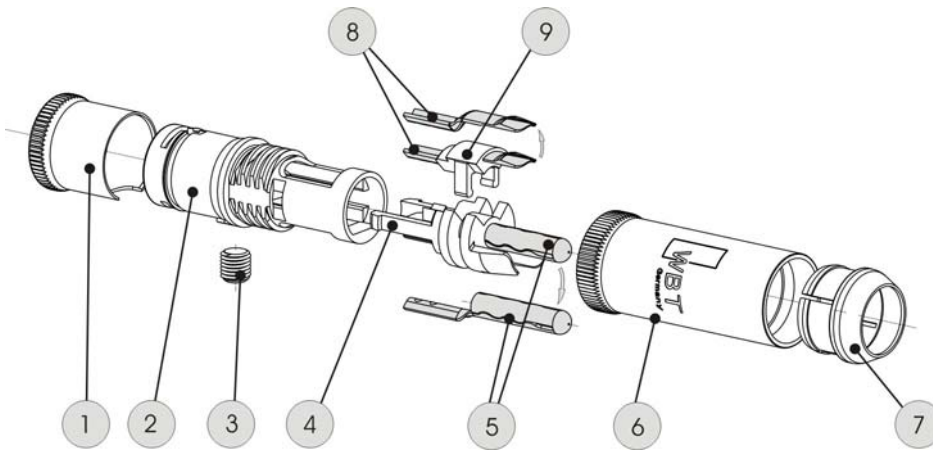
WBT-0110 Ag

E

WBT



All dimensions in mm



Component list		
1	cap brass	1
2	Holding unit Ultramid ¹⁾	1
3	Torx ³⁾ screw M4x4 brass	1
4	dielectric – plus contact Ultramid ¹⁾	1
5	plus contact fine silver	1
6	shaft of clamping barrel AlMg alloy	1
7	head of clamping barrel AlMg alloy	1
8	minus contact fine silver	1
9	dielectric – minus contact Vectra S135 ²⁾	1
Extent of delivery 1 – 9 assembled		
Revision date 15.12.2009		

¹⁾ Ultramid 95 is a registered trademark BASF • ²⁾ Vectra is a registered trademark of Ticona • ³⁾ Torx is a registered trademark of Camcar Textron
WBT and nextgen are registered trademarks of WBT GmbH

WBT - 0110 RCA Cinch Plug nextgen™

(Internat. Pat. EP 0 460 145 B1)

RCA / Cinch wideband plug for digital and analogue connections

1. Mechanics

- Single-element low-tolerance contact elements (Tol. $< \pm 0,02$ mm)
- Central Contact Unit consisting of two moulded contact holders, (4)+(5) and (8)+(9)
- The Ultramid¹⁾ holding unit (2) grips the central contact unit and also provides the cable strain relief thanks to the grub screw (Torx³⁾ T.6).
- The electrical insulated aluminium clamping barrel (6) and (7) is axially screwed over the thread of the holder and provides a permanent tight contact pressure. This way the plug can be adopted perfectly by every type of RCA / Cinch socket.
- EMC shielding is effectively achieved by the by the clamping barrel (2) and (3) and the cap made of brass (8).

2. Materials

- Signal conductors (8) and (6) fine silver
- Dielectric plus contact (4) Ultramid¹⁾, glass-fibre reinforced
- Dielectric minus contact (9) Vectra S135²⁾,
- Cap (1) and grub screw (3) brass
- Holding unit (2) glass-fibre reinforced (30%) polyamide 6.6
- Clamping barrel (6) and (7) aluminium :magnesium alloy

3. Oberflächen:

- Signal conductor (5) and (8) pure platinum 0,4 μ m
- Clamping barrel, (6), (7) laser engraved, coloured anodized ceramic
- Cap (1) platinized, without ferromagnetic intermediate layer
- Holding unit (2) coloured versions available according to the EIA/CEA standard for multi channel systems

4. Operating Characteristics (reliable observed after more than 10³ connections/disconnections)

- Permanent current $I_D > 10$ A
- Transition resistance $R_{0} < 0,1$ mOhm (loop measured with WBT -0110)
- Contact resistance $R_{BI}, R_{Ba} < 0,1$ mOhm (patch resistance, inner / outer)
- Self capacitance $C \approx 2,5$ pF
- Insulation resistance $R_{is}, R_{isG} > 10^{10}$ Ohm (conductor/ conductor, conductor/chassis)
- Characteristic impedance $Z = 75$ Ohm up to 1GHz

5 Dimensions

- Outer / inner diameter 13,6 / 9mm
- Total length 51 mm

6. Mounting

- Connection soldering
- Cables for cables up to 9mm dia



WBT-0110 Ag
Characteristic Impedance 75 Ω
RoHS compliant

© by WBT Germany E12 2009